

Motion detector

IR 180 AP easy

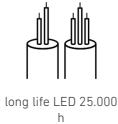
Surface wiring
EAN 4007841 066048
Article number 066048



infrared sensor
180°



max. 8 m



long life LED 25.000
h

200 W

max. 2000 W



manual switch ON/
OFF

Teach

Teach mode



IP54



2 - 1000 lux



5 sec - 30 min



CE

Function description

Everything but afraid of water. Infrared sensor switch IR 180 AP easy for indoors and out, ideal for basements, garages, carports and outdoor areas, switches light 'ON' and 'OFF' automatically, reach up to 8 m, adjustable time and twilight threshold, splashproof, can also be used in damp rooms or in the open. It works in both as 2 and 3-wire installations and can switch all type of lamps ON and OFF.

Technical specifications

Dimensions (L x W x H)	82 x 72 x 67 mm	Switching output 1, low-voltage halogen lamps	200 VA
With motion detector	Yes	LED lamps < 2 W	40 W
Manufacturer's Warranty	3 years	LED lamps > 2 W < 8 W	100 W
Settings via	Potentiometers	LED lamps > 8 W	160 W
With remote control	No	Capacitive load in μF	132 μF
Version	Surface wiring	Technology, sensors	passive infrared, Light sensor
PU1, EAN	4007841066048	Mounting height	0,90 – 2,20 m
Type	Motion detectors	Mounting height max.	2,20 m
Application, place	Indoors, Outdoors	Optimum mounting height	1,1 m
Application, room	corridor / aisle, function room / ancillary room, WC / washroom, outdoors, Indoors	Detection angle	180 °
Colour	grey	Angle of aperture	90 °
Colour, RAL	7035	Sneak-by guard	Yes
Installation site	wall	Electronic scalability	No
Installation	Surface wiring, Wall	Mechanical scalability	No
IP-rating	IP54	Reach, radial	r = 3 m (14 m ²)
Protection class	II	Reach, tangential	r = 8 m (101 m ²)

Motion detector

IR 180 AP easy

Surface wiring

EAN 4007841 066048

Article number 066048



Technical specifications

Ambient temperature	from 0 up to 40 °C
Material	Plastic
Mains power supply	220 – 240 V / 50 – 60 Hz
Switching output 1, resistive	200 W
Switching output 1, number of LEDs / fluorescent lamps	4 pcs.
Fluorescent lamps, electronic ballast	150 W
Fluorescent lamps, uncorrected	150 VA
Fluorescent lamps, series-corrected	150 VA
Fluorescent lamps, parallel-corrected	150 VA

Switching zones	96 switching zones
Twilight setting	2 – 1000 lx
Time setting	5 s – 30 Min.
Basic light level function	No
Main light adjustable	No
Twilight setting TEACH	Yes
Constant-lighting control	No
Interconnection	Yes
Product category	Motion detector

Motion detector

IR 180 AP easy

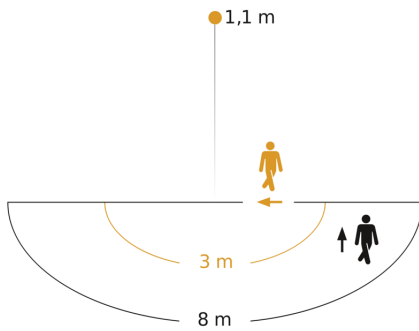
Surface wiring

EAN 4007841 066048

Article number 066048



Detection Zone

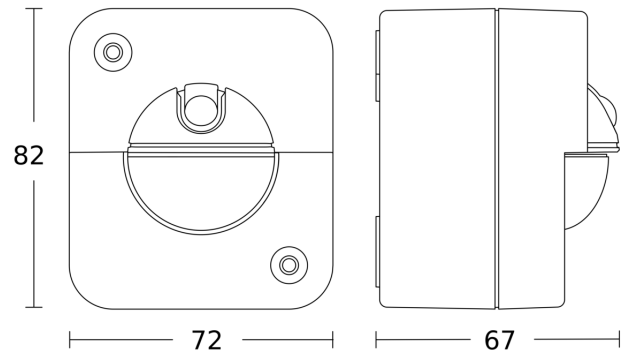


Possible mounting height: 0,90 m - 2,20 m

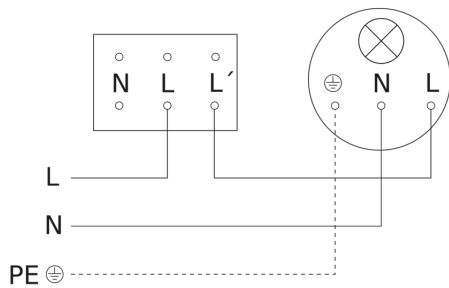
Orange: radial

Black: tangential

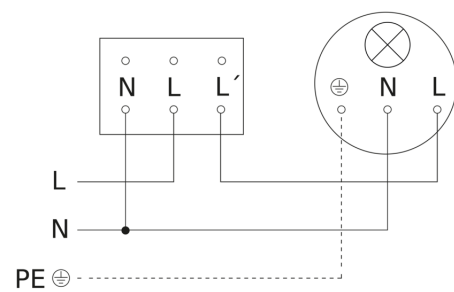
Dimension Drawing



2-wire circuit diagram



3-wire circuit diagram



Motion detector

IR 180 AP easy

Surface wiring

EAN 4007841 066048

Article number 066048



Circuit diagram for interconnecting several sensors

